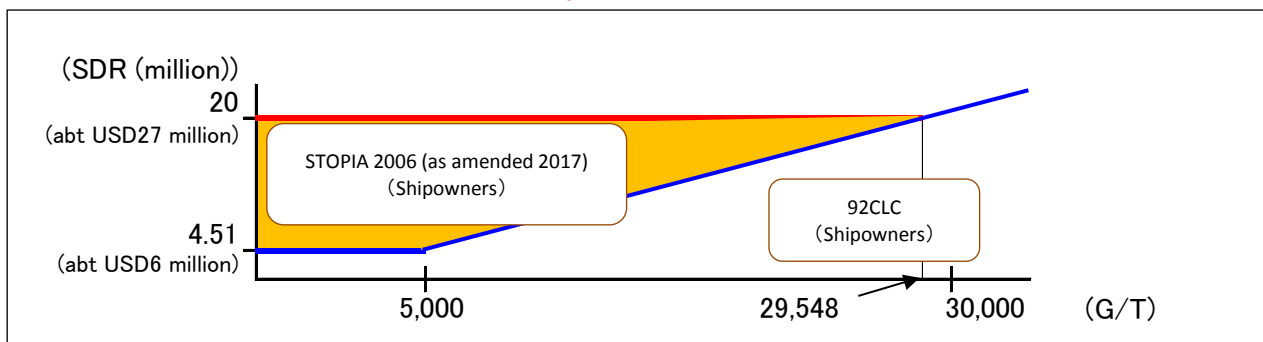
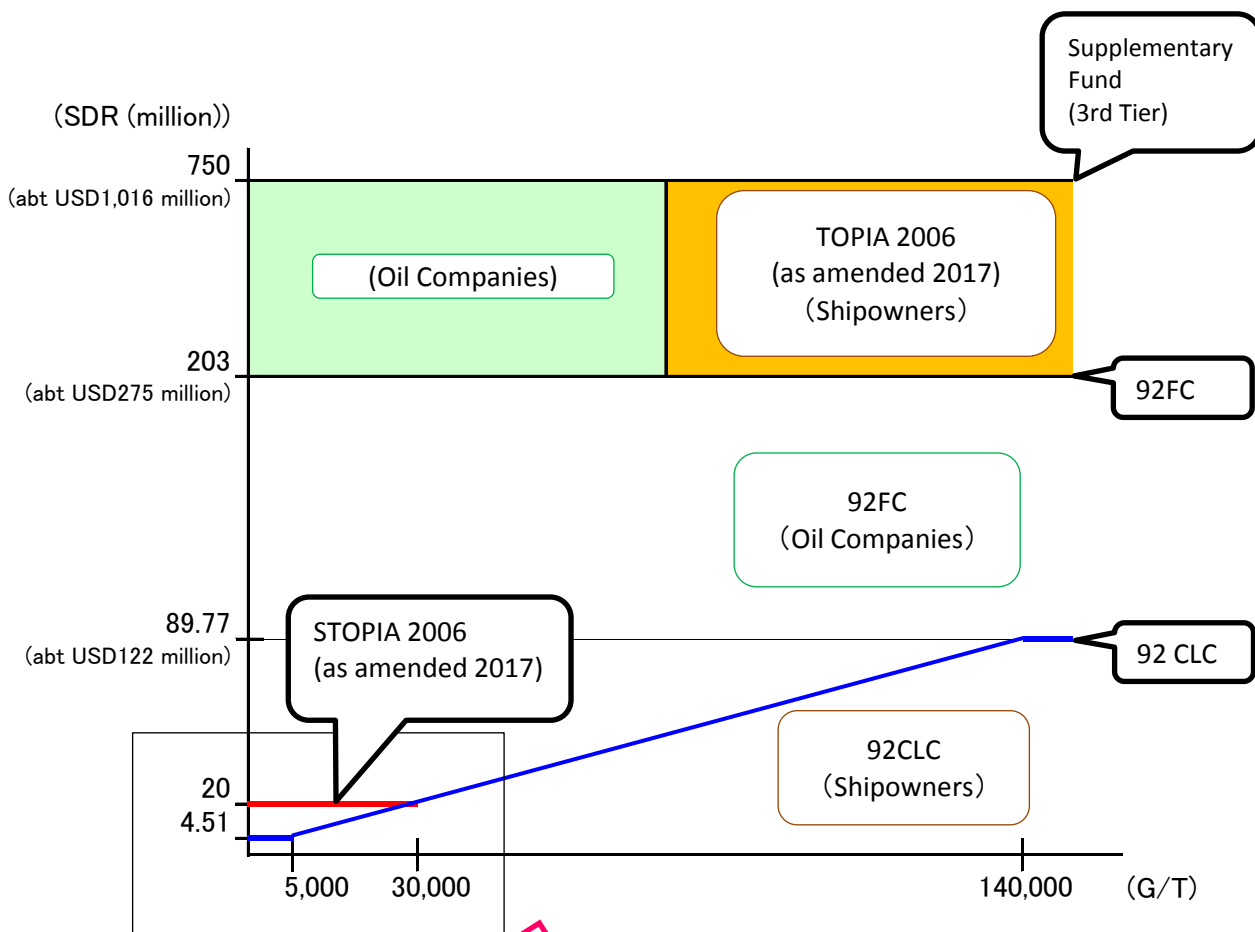


Amount of Compensation available under
 92CLC/92FC/Supplementary Fund/STOPIA 2006
 (as amended 2017)/TOPIA 2006(as amended 2017)



SDR 1 = USD1.354880 (as of 17 February 2017)